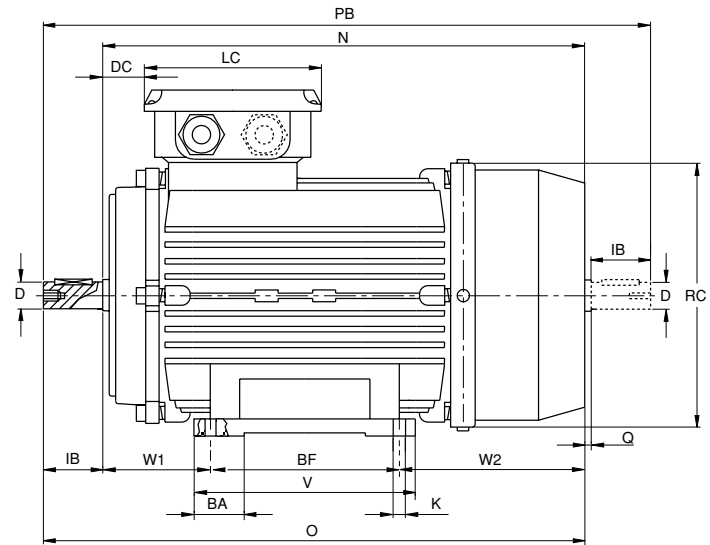
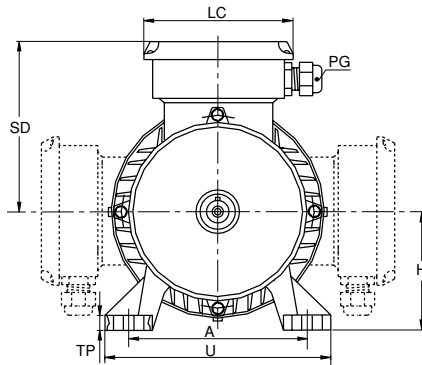


**Dimensioni motori trifase
e doppia polarità**
serie T - DP - H - IN - IT* -
TS - SC

**Dimensions of three-
phase and two-speed
motors series T - DP - H -
IN - IT* - TS - SC**

**Dimensions moteurs
triphases et à double
polarité série T - DP - H -
IN - IT* - TS - SC**

**Abmessungen der
Drehstrommotoren
und der polumschaltbaren
Motoren Serie T - DP - H -
IN - IT* - TS - SC**



B3

Grandezza Size Grandeur Größe	Dimensioni / Dimensions / Dimensions / Abmessungen																				B3
	D	IB	A	BF	K	H	W1	W2	N	O	PG	RC	SD	TP	U	V	PB	Q	LC	DC	
56	9	20	90	71	6	56	36	61,0	168,0	188,0	M16	110	108	10	108	90	211,0	3	93	15	25
63	11	23	100	80	7	63	40	70,5	190,5	213,5	M16	123	117	10	120	105	239,5	3	93	12	27
71	14	30	112	90	8	71	48	80,0	218,0	248,0	M16	137	124	11	136	108	281,0	3	93	23	24
80	19	40	125	100	9	80	54	88,0	242,0	282,0	M20	156	141	13/14	154	125	326,0	4	115	26	30
90S	24	50	140	100	10	90	59	96,0	255,0	305,0	M20	176	150	13/15	170	130	358,0	3	115	29	30
90L	24	50	140	125	10	90	59	96,0	280,0	330,0	M20	176	150	13/15	170	155	383,0	3	115	29	32
100	28	60	160	140	13	100	63	109,0	312,0	372,0	M20	194	159	15/16	192	175	437,0	5	115	33	32
112	28	60	190	140	13	112	72	118,0	330,0	390,0	M20	218	172	15	224	176	455,0	5	115	35	34
132S	38	80	216	140	14	132	89	151,5	380,5	460,5	M32	258	192	16/18	260	180	546,5	6	123	48	37
132M	38	80	216	178	14	132	89	151,5	418,5	498,5	M32	258	192	16/18	260	218	584,5	6	123	48	37
160M	42	110	254	210	16	160	108	173,0	491,0	601,0	M32	309	246	18	318	260	718,0	7	187	56	52
160L	42	110	254	254	16	160	108	173,0	535,0	645,0	M32	309	246	18	318	304	-	-	187	56	52
180	48	110	280	280	16	180	120	210,0	610,0	720,0	M32	346	260	24	346	330	-	-	187	51	42
200	55	110	318	305	18	200	118	208,0	631,0	741,0	M32	348	260	26	398	355	-	-	187	62	54

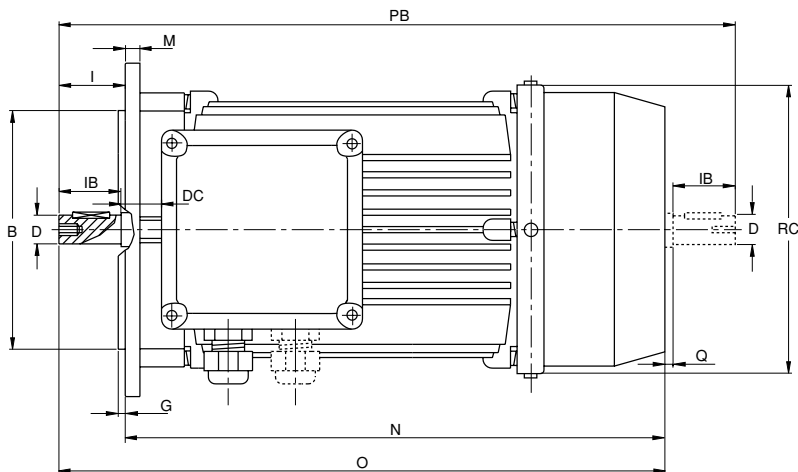
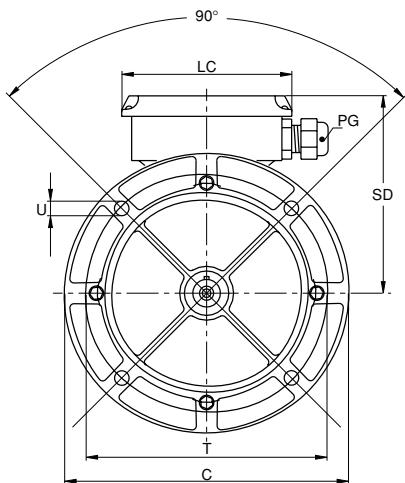
**Dimensioni motori trifase
e doppia polarità
serie T - DP - H - IN - IT* -
TS - SC**

**Dimensions of three-
phase and two-speed
motors series T - DP - H -
IN - IT* - TS - SC**

**Dimensions moteurs
triphasés et à double
polarité série T - DP - H -
IN - IT* - TS - SC**

**Abmessungen der
Drehstrommotoren
und der polumschaltbaren
Motoren Serie T - DP - H -
IN - IT* - TS - SC**

B5



Grandezza Size Grandeur Größe	Dimensioni / Dimensions / Dimensions / Abmessungen																	B5
	D	I	B	C	G	M	N	O	PG	RC	SD	T	U	PB	Q	LC	DC	
56	9	20	80	120	2,5	8,5	168,0	188,0	M16	110	108	100	7,0	211,0	3	93	15	20
63	11	23	95	140	2,5	10,0	190,5	213,5	M16	123	117	115	9,5	239,5	3	93	12	23
71	14	30	110	160	3,0	10,0	218,0	248,0	M16	137	124	130	9,5	281,0	3	93	23	30
80	19	40	130	200	3,0	11,0	242,0	282,0	M20	156	141	165	12,0	326,0	4	115	26	40
90S	24	50	130	200	3,5	10,0	255,0	305,0	M20	176	150	165	12,0	358,0	3	115	29	50
90L	24	50	130	200	3,5	10,0	280,0	330,0	M20	176	150	165	12,0	383,0	3	115	29	50
100	28	60	180	250	4,0	14,0	312,0	372,0	M20	194	159	215	14,5	437,0	5	115	33	60
112	28	60	180	250	4,0	14,0	330,0	390,0	M20	218	172	215	14,5	455,0	5	115	35	60
132S	38	80	230	300	4,0	20,0	380,5	460,5	M32	258	192	265	14,5	546,5	6	123	48	80
132M	38	80	230	300	4,0	20,0	418,5	498,5	M32	258	192	265	14,5	584,5	6	123	48	80
160M	42	110	250	350	5,0	20,0	491,0	601,0	M32	309	246	300	18,5	718,0	7	187	56	110
160L	42	110	250	350	5,0	20,0	535,0	645,0	M32	309	246	300	18,5	-	-	187	56	110
180	48	110	250	350	5,0	20,0	610,0	720,0	M32	346	260	300	19,0	-	-	187	51	110
200	55	110	300	400	5,0	20,0	631,0	741,0	M32	348	260	350	19,0	-	-	187	62	110

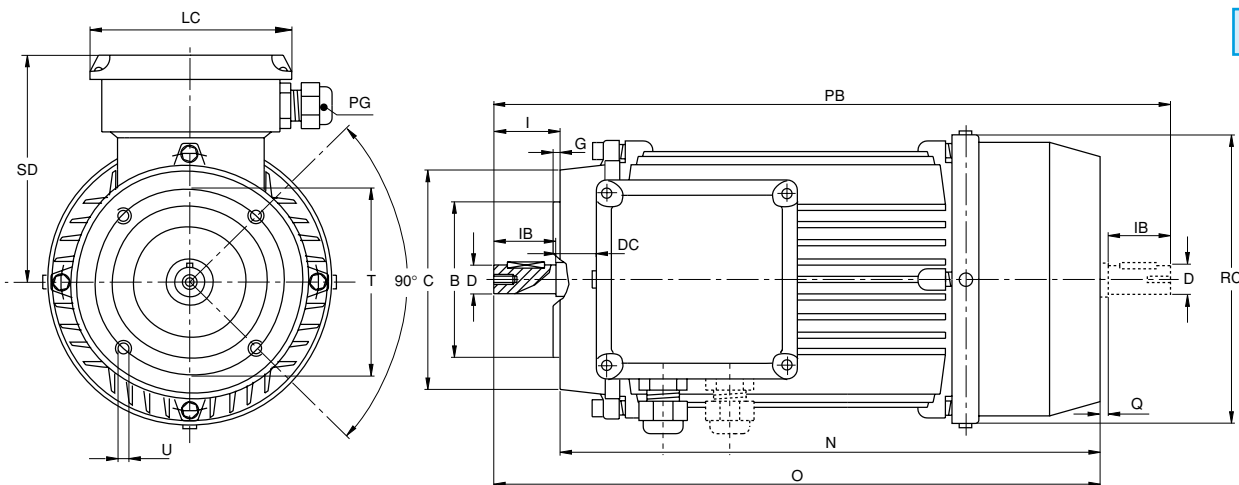
**Dimensioni motori trifase
e doppia polarità
serie T - DP - H - IN - IT* -
TS - SC**

**Dimensions of three-
phase and two-speed
motors series T - DP - H -
IN - IT* - TS - SC**

**Dimensions moteurs
triphasés et à double
polarité série T - DP - H -
IN - IT* - TS - SC**

**Abmessungen der
Drehstrommotoren
und der polumschaltbaren
Motoren Serie T - DP - H -
IN - IT* - TS - SC**

B14



Grandezza Size Grandeur Größe	Dimensioni / Dimensions / Dimensions / Abmessungen																B14
	D	I	B	C	G	N	O	PG	RC	SD	T	U	PB	Q	LC	DC	
50A	9	20	50	80	2,5	125,0	145,0	M16	98	105	65	M5	-	-	93	3,5	20
50B	9	20	50	80	2,5	141,0	161,0	M16	98	108	65	M5	184,0	3	93	15,0	20
56	9	20	50	80	2,5	168,0	188,0	M16	110	117	65	M5	211,0	3	93	12,0	20
63	11	23	60	90	2,5	190,5	213,5	M16	123	124	75	M5	239,5	3	93	23,0	23
71	14	30	70	105	3,0	218,0	248,0	M16	137	141	85	M6	281,0	3	115	26,0	30
80	19	40	80	125	3,0	242,0	282,0	M20	156	150	100	M6	326,0	4	115	29,0	40
90S	24	50	95	140	3,0	255,0	305,0	M20	176	150	115	M8	358,0	3	115	29,0	50
90L	24	50	95	140	3,0	280,0	330,0	M20	176	159	115	M8	383,0	3	115	33,0	50
100	28	60	110	160	4,0	312,0	372,0	M20	194	172	130	M8	437,0	5	115	35,0	60
112	28	60	110	160	4,0	330,0	390,0	M20	218	192	130	M8	455,0	5	123	48,0	60
132S	38	80	130	200	4,0	380,5	460,5	M32	258	192	165	M10	546,5	6	123	48,0	80
132M	38	80	130	200	4,0	418,5	498,5	M32	258	246	165	M10	584,5	6	187	56,0	80
160M	42	110	180	250	4,0	491,0	601,0	M32	309	246	215	M12	718,0	7	187	56,0	110
160L	42	110	180	250	4,0	535,0	645,0	M32	309	220	215	M12	-	-	165	118,0	110