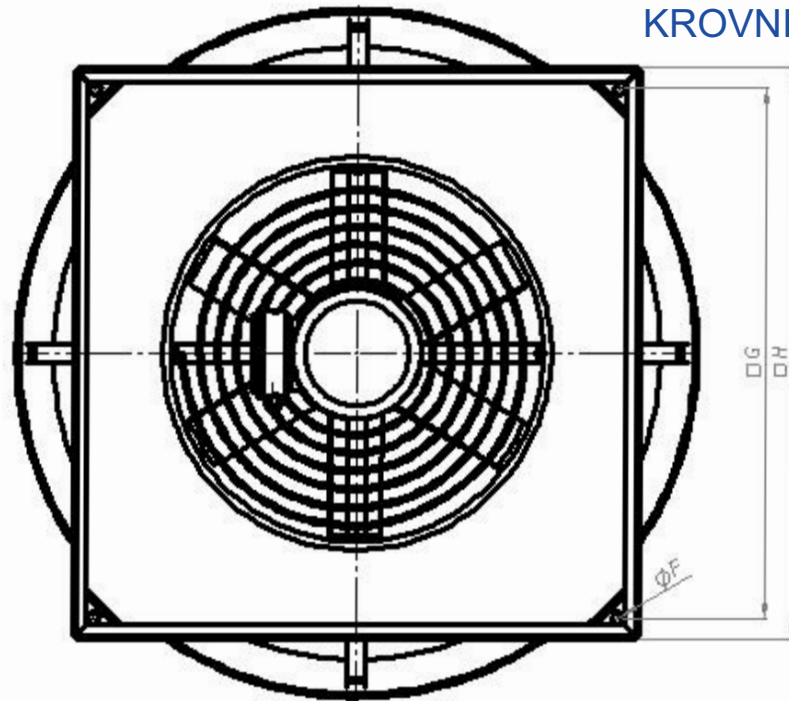


## KROVNI VENTILATORI



MODELI	A	B	C	D	$\phi E$	$\phi F$	G	H
SVAK 40 0.25/4	427	325	102	123	760	13	585	630
SVAK 45 0.37/4	477	375	102	123	970	13	665	710
SVAK 50 0.37/4	502	400	102	123	1100	13	755	800

