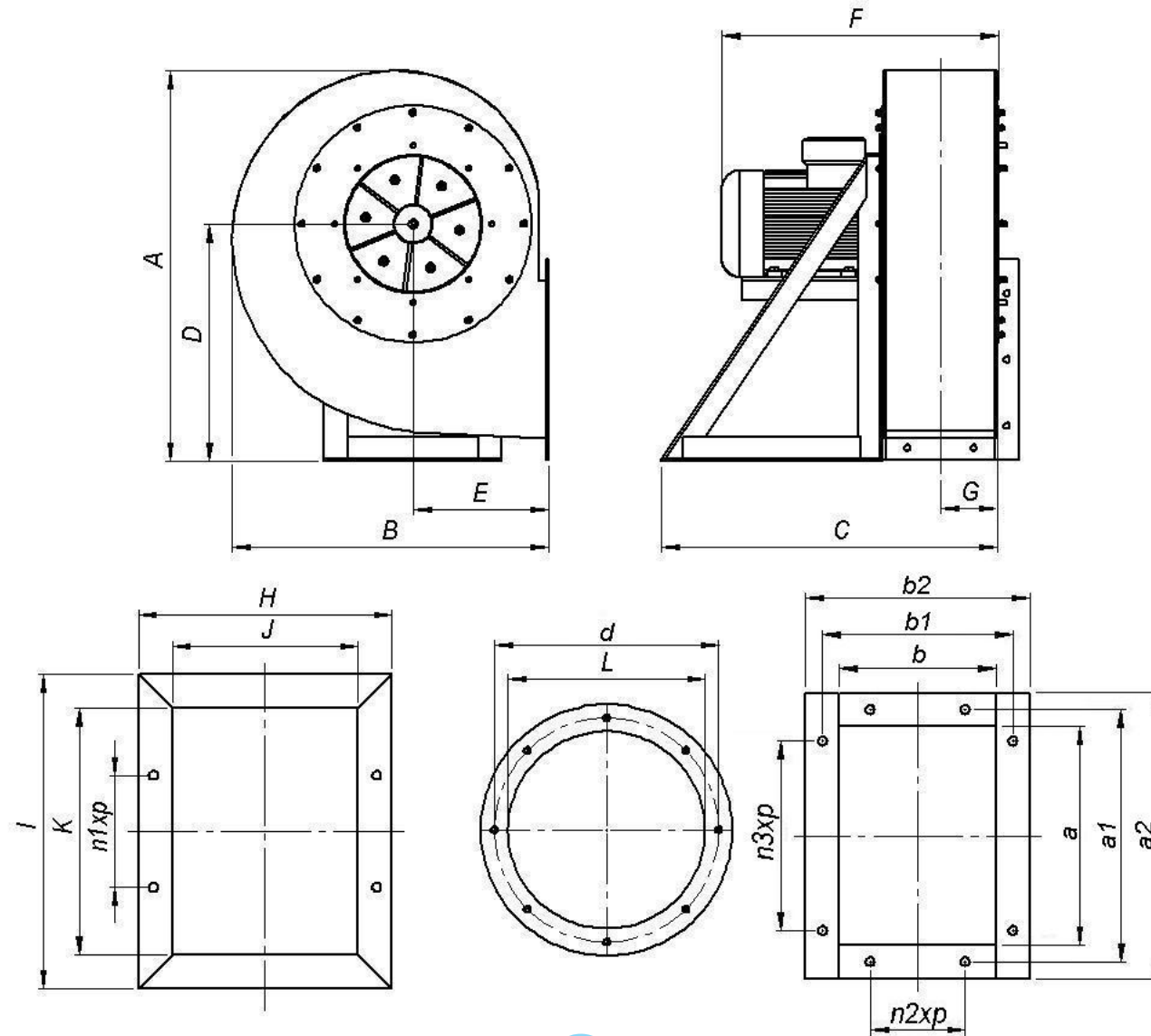


VENTILATORI SREDNJEG PRITISKA



VENTILATORI SREDNJEG PRITISKA

MODEL	A	B	C	D	E	F	G	H	I	J	K	L	b2	a2	b1	a1	b	a	n1xp	no	f	n2xp	n3xp	no	f	d	no	f
SVSP 11 0,37/2	425	360	332,333	255	165	354	51,5	250	229,3329	170	309,3329	130	183	164	148	169	103	124	1x150	4	10	-	-	4	10	150	4	M8x15
SVSP 12 0,37/2	425	360	339,078	255	165	379	51,5	270	236,078	190	316,078	130	183	164	148	169	103	124	1x150	4	10	-	-	4	10	150	4	M8x15
SVSP 21 0,55/2	526	441	424,548	315	195	427	74	270	276,5485	190	356,5485	185	228	247	193	252	148	207	1x150	4	10	1x112	1x112	8	10	219	8	M8x15
SVSP 21 0,75/2	526	441	424,548	315	195	427	74	270	276,5485	190	356,5485	185	228	247	193	252	148	207	1x150	4	10	1x112	1x112	8	10	219	8	M8x15
SVSP 22 0,75/2	526	441	438,039	315	195	467	74	310	290,0387	230	370,0387	185	228	247	193	252	148	207	1x200	4	10	1x112	1x112	8	10	219	8	M8x15
SVSP 31 1,1/2	610	477	496,509	375	200	485	83	310	330,5092	230	410,5092	205	246	271	211	276	166	231	1x200	4	10	1x112	1x112	8	10	241	8	M8x15
SVSP 31 1,5/2	610	477	496,509	375	200	485	83	310	330,5092	230	410,5092	205	246	271	211	276	166	231	1x200	4	10	1x112	1x112	8	10	241	8	M8x15
SVSP 41 1,5/2	658	527	532,372	400	225	530	92,5	310	347,3719	230	427,3719	228	265	298	230	303	185	258	1x200	4	10	1x112	2x112	10	10	265	8	M8x15
SVSP 41 2,2/2	658	527	532,372	400	225	555	92,5	310	347,3719	230	427,3719	228	265	298	230	303	185	258	1x200	4	10	1x112	2x112	10	10	265	8	M8x15
SVSP 51 3/2	740	600	586,097	450	255	575	103	310	381,0973	230	461,0973	255	285	328	250	333	205	288	1x250	4	12	1x125	2x125	10	10	292	8	M8x15
SVSP 52 3/2	740	600	602,96	450	255	615	103	360	397,96	280	477,96	255	285	328	250	333	205	288	1x250	4	12	1x125	2x125	10	10	292	8	M8x15
SVSP 51 4/2	740	600	602,96	450	255	615	103	360	397,96	280	477,96	255	285	328	250	333	205	288	1x250	4	12	1x125	2x125	10	10	292	8	M8x15
SVSP 52 4/2	740	600	602,96	450	255	630	103	360	397,96	280	477,96	255	285	328	250	333	205	288	1x250	4	12	1x125	2x125	10	10	292	8	M8x15
SVSP 61 5,5/2	815	655	660,685	500	285	694	115	360	431,6855	280	511,6855	285	309	372	274	377	229	332	1x250	4	12	1x125	2x125	10	10	332	8	M8x15
SVSP 62 5,5/2	815	655	677,548	500	285	724	115	410	448,5482	330	528,5482	285	309	372	274	377	229	332	1x250	4	12	1x125	2x125	10	10	332	8	M8x15
SVSP 61 7,5/2	815	655	677,548	500	285	724	115	410	448,5482	330	528,5482	285	309	372	274	377	229	332	1x250	4	12	1x125	2x125	10	10	332	8	M8x15
SVSP 71 11/2	915	735	745,019	560	320	792	128	410	489,0187	330	569,0187	320	336	401	301	406	256	361	1x300	4	12	1x125	2x125	10	10	366	8	M8x15
SVSP 72 11/2	915	735	745,019	560	320	752	128	410	489,0187	330	569,0187	320	336	401	301	406	256	361	1x300	4	12	1x125	2x125	10	10	366	8	M8x15
SVSP 81 15/2	1000	832	820,862	600	360	929	144	460	532,8617	380	612,8617	360	368	444	333	449	288	404	1x300	4	14	2x125	3x125	14	12	405	8	M8x15
SVSP 81 18,5/2	1000	832	820,862	600	360	929	144	460	532,8617	380	612,8617	360	368	444	333	449	288	404	1x300	4	14	2x125	3x125	14	12	405	8	M8x15
SVSP 81 22/2	1000	832	820,862	600	360	1014	144	460	532,8617	380	612,8617	360	368	444	333	449	288	404	1x300	4	14	2x125	3x125	14	12	405	8	M8x15
SVSP 71 1,5/4	915	735	711,293	560	320	627	128	310	455,2932	230	535,2932	320	336	401	301	406	256	361	1x300	4	12	1x125	2x125	10	10	366	8	M8x15
SVSP 81 2,2/4	1000	832	770,274	600	360	659	144	310	482,2736	230	562,2736	360	368	444	333	449	288	404	1x300	4	12	2x125	3x125	14	12	405	8	M8x15
SVSP 82 2,2/4	1000	832	787,136	600	360	699	144	360	499,1363	280	579,1363	360	368	444	333	449	288	404	1x300	4	12	2x125	3x125	14	12	405	8	M8x15

VENTILATORI SREDNJEG PRITISKA

MODEL	A	B	C	D	E	F	G	H	I	J	K	L	b2	a2	b1	a1	b	a	n1xp	no	f	n2xp	n3xp	no	f	d	no	f
SVSP 81 3/4	1000	832	787,136	600	360	699	144	360	499,1363	280	579,1363	360	368	444	333	449	288	404	1x300	4	12	2x125	3x125	14	12	405	8	M8x15
SVSP 91 4/4	1126	940	868,352	670	400	739	161	360	546,3519	280	626,3519	405	402	493	367	498	322	453	1x300	4	14	2x125	3x125	14	12	448	12	M10x15
SVSP 92 4/4	1126	940	868,352	670	400	754	161	360	546,3519	280	626,3519	405	402	493	367	498	322	453	1x300	4	14	2x125	3x125	14	12	448	12	M10x15
SVSP 91 5,5/4	1126	940	868,352	670	400	794	161	360	546,3519	280	626,3519	405	402	493	367	498	322	453	1x300	4	14	2x125	3x125	14	12	448	12	M10x15
SVSP 92 5,5/4	1126	940	885,215	670	400	824	161	410	563,2146	330	643,2146	405	402	493	367	498	322	453	1x350	4	14	2x125	3x125	14	12	448	12	M10x15
SVSP 101 7,5/4	1260	1052	978,175	750	450	900	181	410	617,1753	330	697,1753	455	441	547	406	552	361	507	1x350	4	14	2x125	3x125	14	12	497	12	M10x15
SVSP 101 11/4	1260	1052	978,175	750	450	900	181	410	617,1753	330	697,1753	455	441	547	406	552	361	507	1x350	4	14	2x125	3x125	14	12	497	12	M10x15
SVSP 102 11/4	1260	1052	995,038	750	450	1005	181	460	634,038	380	714,038	455	441	547	406	552	361	507	2x200	6	14	2x125	3x125	14	12	497	12	M10x15
SVSP 111 11/4	1416	1189	1088,63	850	500	942	202	410	684,6261	330	764,6261	505	484	609	449	614	404	569	2x200	6	16	2x160	3x160	14	14	551	12	M10x15
SVSP 112 11/4	1416	1189	1105,49	850	500	1047	202	460	701,4889	380	781,4889	505	484	609	449	614	404	569	2x200	6	16	2x160	3x160	14	14	551	12	M10x15
SVSP 111 15/4	1416	1189	1105,49	850	500	1102	202	460	701,4889	380	781,4889	505	484	609	449	614	404	569	2x200	6	16	2x160	3x160	14	14	551	12	M10x15
SVSP 121 18,5/4	1591	1340	1221,94	950	560	1182	227	460	768,9397	380	848,9397	565	533	678	498	683	453	638	2x225	6	16	2x160	3x160	14	14	629	12	M10x15
SVSP 121 30/4	1591	1340	1238,8	950	560	1252	227	510	785,8024	430	865,8024	565	533	678	498	683	453	638	2x225	6	16	2x160	3x160	14	14	629	12	M10x15
SVSP 131 37/4	1780	1500	1383,86	1060	630	1365	254	560	876,8611	480	956,8611	635	587	755	552	760	507	715	2x250	6	16	2x160	4x160	16	14	698	12	M10x15
SVSP 131 45/4	1780	1500	1383,86	1060	630	1395	254	560	876,8611	480	956,8611	635	587	755	552	760	507	715	2x250	6	16	2x160	4x160	16	14	698	12	M10x15
SVSP 141 55/4	1993	1685	1560,53	1180	710	1526	285	660	991,5275	580	1071,528	715	649	841	614	846	569	801	2x250	6	16	2x200	3x200	14	14	775	16	M10x15
SVSP 141 75/4	1993	1685	1560,53	1180	710	1601	285	660	991,5275	580	1071,528	715	649	841	614	846	569	801	2x250	6	16	2x200	3x200	14	14	775	16	M10x15