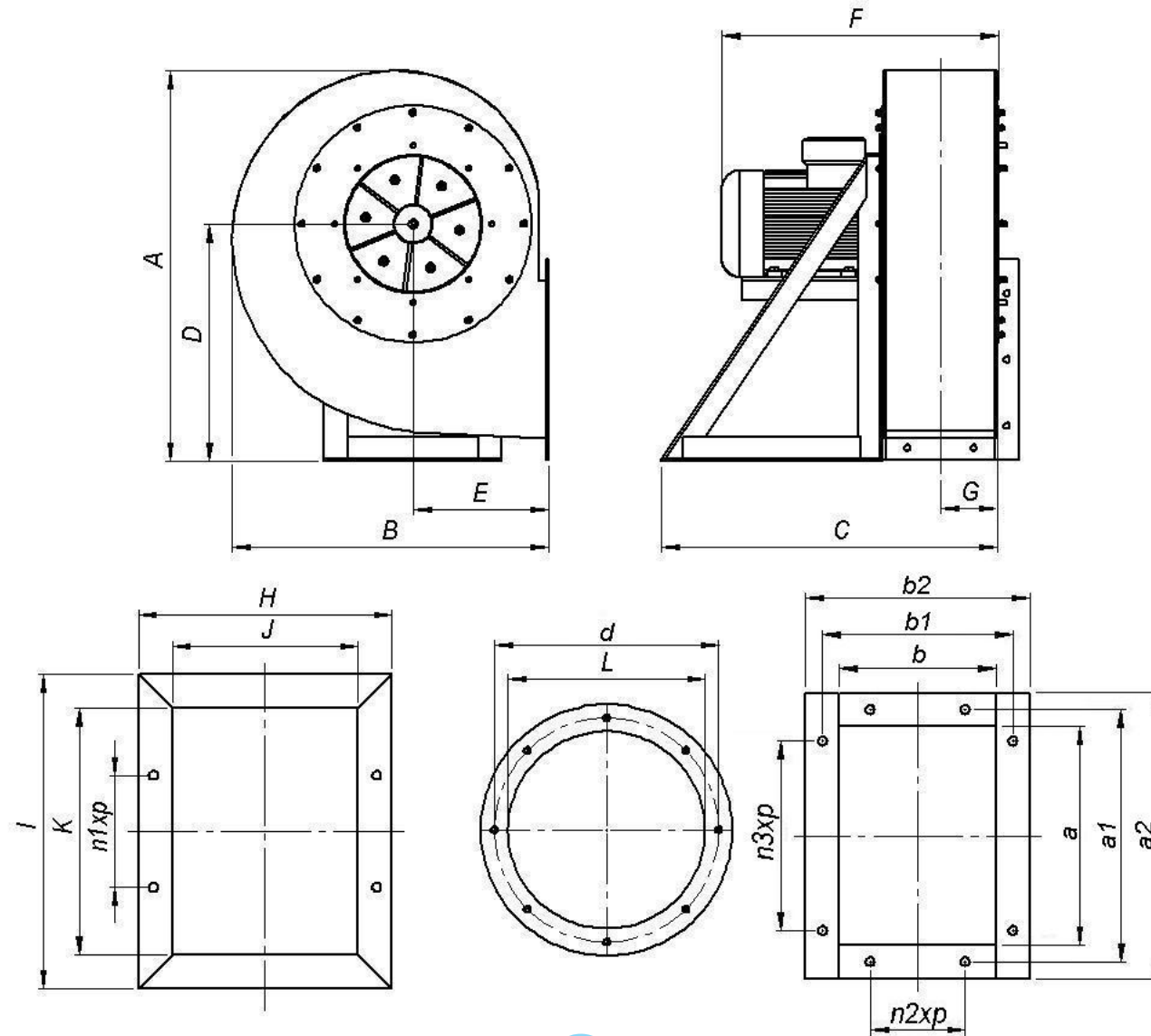


VENTILATORI VISOKOG PRITISKA



VENTILATORI VISOKOG PRITISKA

MODEL	A	B	C	D	E	F	G	H	I	J	K	L	b2	a2	b1	a1	b	a	n1xp	no	f	n2xp	n3xp	no	f	d	no	f
SVVP II. 11 1,1/2	610	535	422,019	355	250	425	52,5	310	317,019	230	397,019	185	185	226	150	191	105	146	1x200	4	10	-	1x112	6	10	219	8	M6x15
SVVP II. 21 1,5/2	658	590	447,509	375	280	437	58,5	310	330,5092	230	410,5092	205	197	246	162	211	117	166	1x200	4	10	-	1x112	5	10	241	8	M6x15
SVVP II. 22 1,5/2	658	590	447,509	375	280	462	58,5	310	330,5092	230	410,5092	205	197	246	162	211	117	166	1x200	4	10	-	1x112	5	10	241	8	M6x15
SVVP II. 31 2,2/2	715	645	478,372	400	300	501	65,5	310	347,3719	230	427,3719	228	211	265	176	230	131	185	1x200	4	10	-	1x112	6	10	265	8	M6x15
SVVP II. 41 3/2	795	715	529,097	450	335	517	74	310	381,0973	230	461,0973	255	228	287	193	252	148	207	1x250	4	10	1x112	1x112	8	10	292	8	M8x15
SVVP II. 42 3/2	795	715	545,96	450	335	557	74	360	397,96	280	477,96	255	228	287	193	252	148	207	1x250	4	12	1x112	1x112	8	10	292	8	M8x15
SVVP II. 41 4/2	795	715	545,96	450	335	557	74	360	397,96	280	477,96	255	228	287	193	252	148	207	1x250	4	12	1x112	1x112	8	10	292	8	M8x15
SVVP II. 42 4/2	795	715	545,96	450	335	572	74	360	397,96	280	477,96	255	228	287	193	252	148	207	1x250	4	12	1x112	1x112	8	10	292	8	M8x15
SVVP II. 43 4/2	795	715	545,96	450	335	557	74	360	397,96	280	477,96	255	228	287	193	252	148	207	1x250	4	12	1x112	1x112	8	10	292	8	M8x15
SVVP II. 44 4/2	795	715	545,96	450	335	572	74	360	397,96	280	477,96	255	228	287	193	252	148	207	1x250	4	12	1x112	1x112	8	10	292	8	M8x15
SVVP II. 41 5,5/2	795	715	545,96	450	335	612	74	360	397,96	280	477,96	255	228	287	193	252	148	207	1x250	4	12	1x112	1x112	8	10	292	8	M8x15
SVVP II. 42 5,5/2	795	715	562,823	450	335	642	74	410	414,8227	330	494,8227	255	228	287	193	252	148	207	1x250	4	12	1x112	1x112	8	10	292	8	M8x15
SVVP II. 51 5,5/2	890	805	597,685	500	375	630	83	360	431,6855	280	511,6855	285	246	311	211	276	166	231	1x300	4	12	1x112	1x112	8	10	332	8	M8x15
SVVP II. 52 5,5/2	890	805	614,548	500	375	660	83	410	448,5482	330	528,5482	285	246	311	211	276	166	231	1x300	4	12	1x112	1x112	8	10	332	8	M8x15
SVVP II. 51 7,5/2	890	805	614,548	500	375	660	83	410	448,5482	330	528,5482	285	246	311	211	276	166	231	1x300	4	12	1x112	1x112	8	10	332	8	M8x15
SVVP II. 52 7,5/2	890	805	614,548	500	375	660	83	410	448,5482	330	528,5482	285	246	311	211	276	166	231	1x300	4	12	1x112	1x112	8	10	332	8	M8x15
SVVP II. 61 11/2	1000	910	674,019	560	425	720	92,5	410	489,0187	330	569,0187	320	265	338	230	303	185	258	1x300	4	12	1x112	2x112	10	12	366	8	M8x15
SVVP II. 62 11/2	1000	910	690,881	560	425	825	92,5	460	505,8814	380	585,8814	320	265	338	230	303	185	258	1x300	4	12	1x112	2x112	10	12	366	8	M8x15
SVVP II. 63 11/2	1000	910	674,019	560	425	720	92,5	410	489,0187	330	569,0187	320	265	338	230	303	185	258	1x300	4	12	1x112	2x112	10	12	366	8	M8x15
SVVP II. 64 11/2	1000	910	690,881	560	425	825	92,5	460	505,8814	380	585,8814	320	265	338	230	303	185	258	1x300	4	12	1x112	2x112	10	12	366	8	M8x15
SVVP II. 61 15/2	1000	910	690,881	560	425	825	92,5	460	505,8814	380	585,8814	320	265	338	230	303	185	258	1x300	4	12	1x112	2x112	10	12	366	8	M8x15
SVVP II. 71 18,5/2	1122	1015	758,097	630	475	845	103	460	553,097	380	633,097	360	285	368	250	333	205	288	1x350	4	14	1x125	2x125	10	12	405	8	M8x15
SVVP II. 71 22/2	1122	1015	758,097	630	475	930	103	460	553,097	380	633,097	360	285	368	250	333	205	288	1x350	4	14	1x125	2x125	10	12	405	8	M8x15
SVVP II. 72 22/2	1122	1015	758,097	630	475	930	103	460	553,097	380	633,097	360	285	368	250	333	205	288	1x350	4	14	1x125	2x125	10	12	405	8	M8x15

VENTILATORI VISOKOG PRITISKA

MODEL	A	B	C	D	E	F	G	H	I	J	K	L	b2	a2	b1	a1	b	a	n1xp	no	f	n2xp	n3xp	no	f	d	no	f
SVVP II. 71 30/2	1122	1015	758,097	630	475	930	103	460	553,097	380	633,097	360	285	368	250	333	205	288	1x350	4	14	1x125	2x125	10	12	405	8	M8x15
SVVP II. 81 30/2	1265	1140	836,058	710	530	954	115	460	607,0577	380	687,0577	405	309	402	274	367	229	322	1x350	4	14	1x125	2x125	10	12	448	12	M8x15
SVVP II. 81 37/2	1265	1140	852,92	710	530	1024	115	510	623,9204	430	703,9204	405	309	402	274	367	229	322	1x350	4	14	1x125	2x125	10	12	448	12	M8x15
SVVP II. 82 37/2	1265	1140	852,92	710	530	1024	115	510	623,9204	430	703,9204	405	309	402	274	367	229	322	1x350	4	14	1x125	2x125	10	12	448	12	M8x15
SVVP II. 81 45/2	1265	1140	852,92	710	530	1024	115	510	623,9204	430	703,9204	405	309	402	274	367	229	322	1x350	4	14	1x125	2x125	10	12	448	12	M8x15
SVVP II. 91 55/2	1428	1285	991,214	800	600	1190	128	660	735,2143	580	815,2143	455	336	441	301	406	256	361	2x225	6	16	1x125	2x125	10	12	497	12	M8x15
SVVP II. 91 75/2	1428	1285	991,214	800	600	1190	128	660	735,2143	580	815,2143	455	336	441	301	406	256	361	2x225	6	16	1x125	2x125	10	12	497	12	M8x15
SVVP II. 92 75/2	1428	1285	991,214	800	600	1190	128	660	735,2143	580	815,2143	455	336	441	301	406	256	361	2x225	6	16	1x125	2x125	10	12	497	12	M8x15
SVVP II. 91 90/2	1428	1285	991,214	800	600	1315	128	660	735,2143	580	815,2143	455	336	441	301	406	256	361	2x225	6	16	1x125	2x125	10	12	497	12	M8x15
SVVP II. 101 90/2	1590	1430	1090,67	900	670	1355	144	660	802,6651	580	882,6651	505	368	484	333	449	288	404	2x225	6	16	2x125	3x125	14	12	551	12	M8x15
SVVP II. 101 110/2	1590	1430	1090,67	900	670	1355	144	660	802,6651	580	882,6651	505	368	484	333	449	288	404	2x225	6	16	2x125	3x125	14	12	551	12	M8x15
SVVP II. 102 110/2	1590	1430	1090,67	900	670	1355	144	660	802,6651	580	882,6651	505	368	484	333	449	288	404	2x225	6	16	2x125	3x125	14	12	551	12	M8x15
SVVP II. 101 132/2	1590	1430	1124,39	900	670	1620	144	760	836,3906	680	916,3906	505	368	484	333	449	288	404	2x225	6	16	2x125	3x125	14	12	551	12	M8x15